

# Composite Suction Cups

## Composite Suction Cups MD-CUP

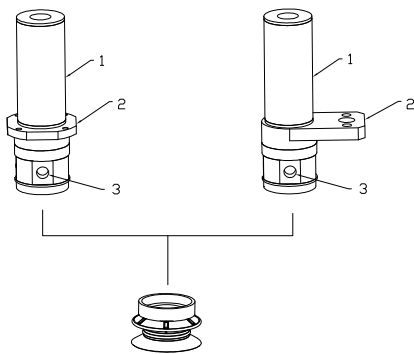
Composite Suction Cups MD-CUP



### Introduction and application

- ◆ Handling composite textiles as well as non-rigid and flexible workpieces
- ◆ Electronic components, anti-static

System Design Composite Suction Cups MD-CUP



### Design

- ◆ Silencer(1)
- ◆ (2) Axial mounting (A) or lateral mounting (S)
- ◆ (3) compressed air intake

### Ordering Data Composite Suction Cups MD-CUP

Type	Ordering Data	Type	Ordering Data
MD-A-K-M-20 CUP	90.13.01.00041	MD-A-K-M-40 CUP	90.13.01.00049
MD-A-B-M-20 CUP	90.13.01.00042	MD-A-B-M-40 CUP	90.13.01.00050
MD-S-K-M-20 CUP	90.13.01.00043	MD-S-K-M-40 CUP	90.13.01.00051
MD-S-B-M-20 CUP	90.13.01.00044	MD-S-B-M-40 CUP	90.13.01.00052
MD-A-K-M-30 CUP	90.13.01.00045	MD-A-K-M-50 CUP	90.13.01.00053
MD-A-B-M-30 CUP	90.13.01.00046	MD-A-B-M-50 CUP	90.13.01.00054
MD-S-K-M-30 CUP	90.13.01.00047	MD-S-K-M-50 CUP	90.13.01.00055
MD-S-B-M-30 CUP	90.13.01.00048	MD-S-B-M-50 CUP	90.13.01.00056

Note: A represents the axial installation of the upper flange; S represents the lateral installation of the upper flange; K represents the adjustable vacuum generator; B represents the non-adjustable vacuum generator; M represents the lower flange; (detailed data reference page P)

### Ordering Data Spare Parts Composite Suction Cups MD-CUP

Type	Ordering Data	Type	Ordering Data
20 CUP	90.13.05.00001	40 CUP	90.13.05.00003
30 CUP	90.13.05.00002	50 CUP	90.13.05.00004

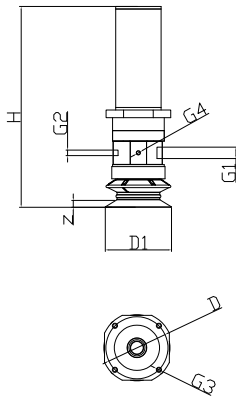
# Composite Suction Cups

## Composite Suction Cups MD-CUP

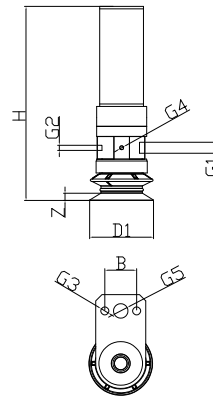


### Design Data Composite Suction Cups MD-CUP

MD-A



MD-S



Type	Dimensions[mm]									
	H	D	D1	G1	G2	G3	G4	G5	B	Z
MD-A-K-M-20 CUP	143.3	48	20	G1/8	M5	M5	M4	-	-	1.5
MD-A-B-M-20 CUP	133.1	48	20	G1/8	M5	M5	M4	-	-	1.5
MD-S-K-M-20 CUP	143.3	-	20	G1/8	M5	φ 6.6	M4	G1/4	25.5	1.5
MD-S-B-M-20 CUP	133.1	-	20	G1/8	M5	φ 6.6	M4	G1/4	25.5	1.5
MD-A-K-M-30 CUP	147.7	48	30	G1/8	M5	M5	M4	-	-	2.8
MD-A-B-M-30 CUP	137.5	48	30	G1/8	M5	M5	M4	-	-	2.8
MD-S-K-M-30 CUP	147.7	-	30	G1/8	M5	φ 6.6	M4	G1/4	25.5	2.8
MD-S-B-M-30 CUP	137.5	-	30	G1/8	M5	φ 6.6	M4	G1/4	25.5	2.8
MD-A-K-M-40 CUP	151.5	48	40	G1/8	M5	M5	M4	-	-	3.7
MD-A-B-M-40 CUP	141.3	48	40	G1/8	M5	M5	M4	-	-	3.7
MD-S-K-M-40 CUP	151.5	-	40	G1/8	M5	φ 6.6	M4	G1/4	25.5	3.7
MD-S-B-M-40 CUP	141.3	-	40	G1/8	M5	φ 6.6	M4	G1/4	25.5	3.7
MD-A-K-M-50 CUP	155.2	48	50	G1/8	M5	M5	M4	-	-	4.2
MD-A-B-M-50 CUP	145	48	50	G1/8	M5	M5	M4	-	-	4.2
MD-S-K-M-50 CUP	155.2	-	50	G1/8	M5	φ 6.6	M4	G1/4	25.5	4.2
MD-S-B-M-50 CUP	145	-	50	G1/8	M5	φ 6.6	M4	G1/4	25.5	4.2

Combined Suction Cups

Vacuum Suction Cups

Composite Suction Cups

Special Grippers

Vacuum Gripping Systems

Mounting Elements

Vacuum Generators

Valve Technology

Switch And Monitoring

Vacuum Filters